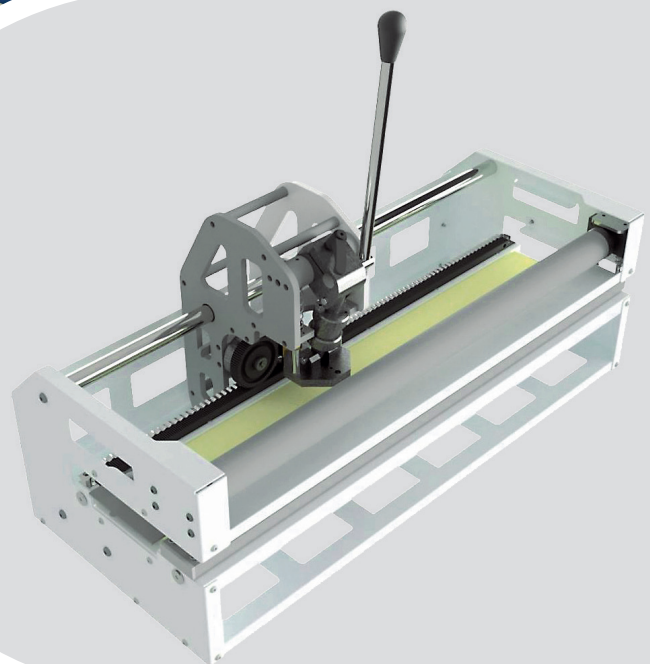


Habasit AFL-601

Die-cutting device



Manual tool for Flexproof and Step-Flex belts preparation

The ideal solution for onsite use or small volume production.

The AFL-601 is designed for Flexproof and Step-Flex preparation of belts up to 10 mm thickness with no limits on belt width. Simply place the belt in position and pull the lever: punching and indexing easily, quickly and precisely with the same lever action.

Key features

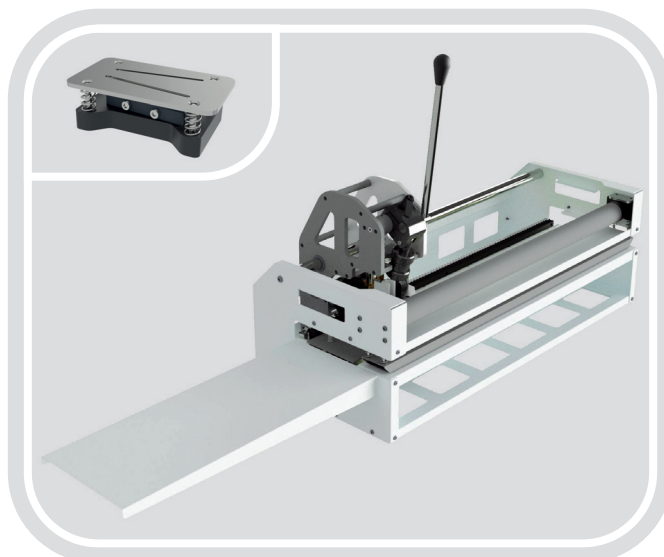
- Robust, compact and lightweight
- Single action punching and indexing
- No belt width limit due to cantilevered frame
- Interchangeable punching heads provide flexibility
- Step-flex ready

Habasit AFL-601 Die-cutting device

Included in the box

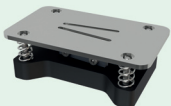
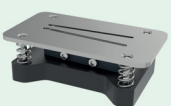
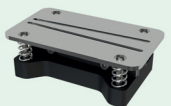
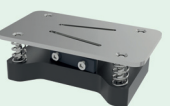
- AFL-601/0 Manual Flexproof die-cutting device
- FDCH-AFL-20/80 Die-cutting head 20x80
- Extension tray

Ordering code: H088000671



Technical specification		
Maximum length	450 mm	17.72"
Maximum width / Maximum width with extension tray	910 mm / 1610 mm	35.83" / 59.45"
Maximum height	440 mm	17.33"
Weight	33,6 kg	74.08 lbs
Standard head geometry	20x80*	
Punching heads weight	1,7 kg	3.3 lbs
Maximum belt width /without belt re-positioning)	600 mm	23.62"
Maximum thickness (with embossed covers)	10 mm	0.394"
Maximum thickness (without embossing)	4 mm	0.157"
Standard indexing pitches	10 mm / 20 mm	0.394" / 0.787"

* 10x50, 10x80, 10x120, 20x50 are available as accessories

Optional accessories				
				
Product name	FDCH-AFL-10/50 Die-cutting head	FDCH-AFL-10/80 Die-cutting head	FDCH-AFL-10/120 Die-cutting head	FDCH-AFL-20/50 Die-cutting head
Geometry [mm]	10x50	10x80	10x120	20x50
Ordering code	H08D019449	H08D019413	H08D018683	H08D019414

Information provided herein does not constitute legal representations or warranties and may change without notice. Please refer to the specifications/ disclaimers provided in the respective product data sheets.

For further information
choose country selection
Habasit Worldwide on:

www.habasit.com

Habasit International AG

CH-4153 Reinach-Basel
+41 61 715 15 15
+41 61 715 15 55

Copyright Habasit AG
Subject to alterations

4703FLY.TOL-en0524HIT